



# Instruction Manual

## Adjustable 4 Post Open Frame Rack

### Save These Instructions

This manual contains instructions and warnings that must be followed during the installation and operation of the product described in this manual. Failure to comply may invalidate the warranty and cause property damage or personal injury.

Thank you for purchasing a Tecmojo product. Please check the product carefully and contact Tecmojo for assistance if any parts are damaged or missing. Do not attempt to install or use product if it has been damaged. This product contains small items that could be a choking hazard – keep these items away from children.

For permanent wall mounting, be sure to securely fasten the enclosure to the building structure before operation.

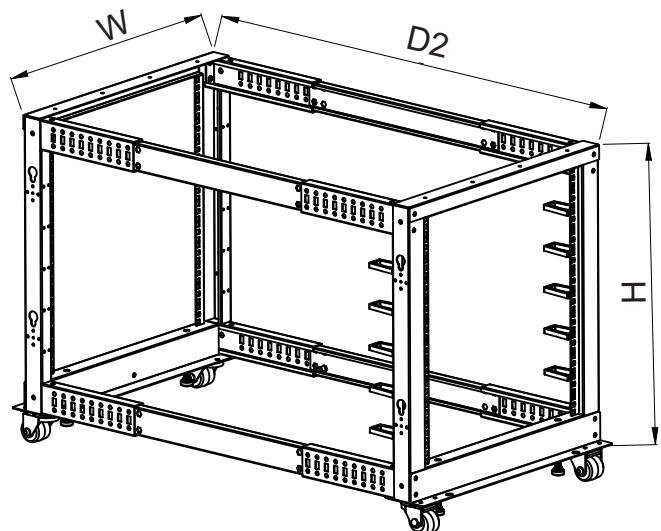
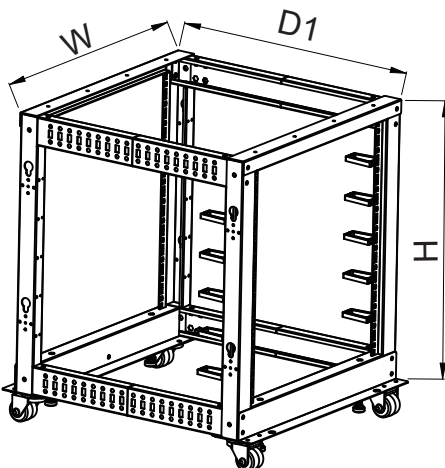
Do not use with equipment that is heavier than the indicated weight capacity for this product. This product is designed to be installed indoors on wood stud walls, solid concrete walls or brick walls. Make sure that the supporting surface will safely support the weight of the equipment and all attached hardware and components. It is recommended that installation be performed by a qualified installer. Tecmojo cannot be held responsible for damage to equipment or personal injury resulting from improper use or installation of product.

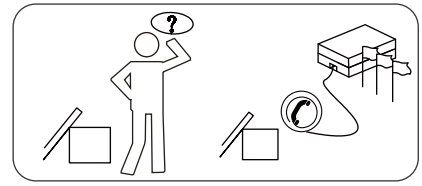
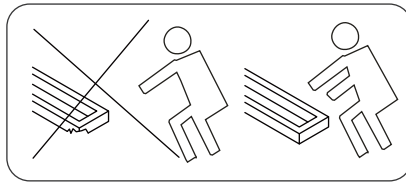
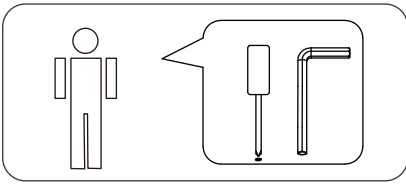
Maintenance: we recommend checking on regular basis that the product is secure and safe to use.

Limitations of Liability: In no event will Tecmojo Co. be liable for any damages, whether direct or indirect, special, punitive, incidental or consequential damages (including, but not limited to, lost profits or revenue, loss of use, lost business opportunities or loss of goodwill) or for the costs of procuring substitute products, arising out of or in connection with the use of the product, whether such liability arises from any claim based upon contract, warranty, tort (including negligence), product liability or otherwise, whether or not seller has been advised of the possibility of such loss or damage. In no event will seller's total cumulative liability, from all causes of action and all theories of liability, exceed the total amounts actually paid to seller by customer under the order that gives rise to any liability hereunder.

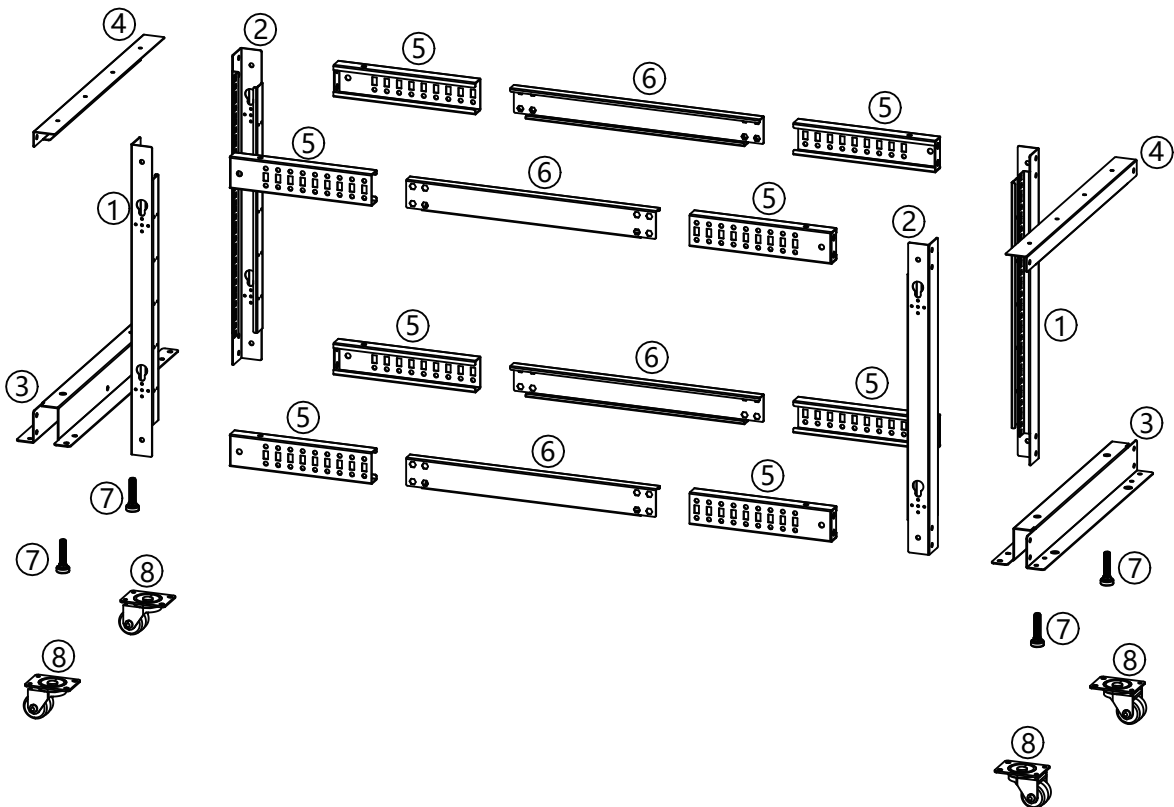
### Specification:

SKU#	Capacity(U)	Width(mm)	Depth(mm)	Height(mm)
11150401	8	600	D1 - MIN:596	460
11150402	12			638
11150403	15			771
11150404	18		D2 - MAX:1054	905
11150405	22			1082
11150406	42			1971

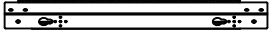

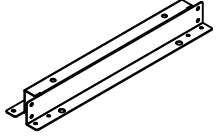
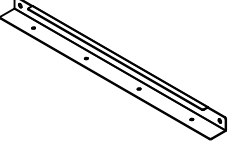
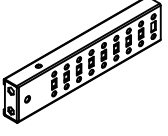
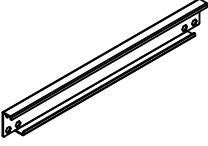

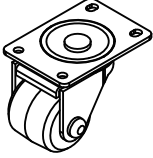




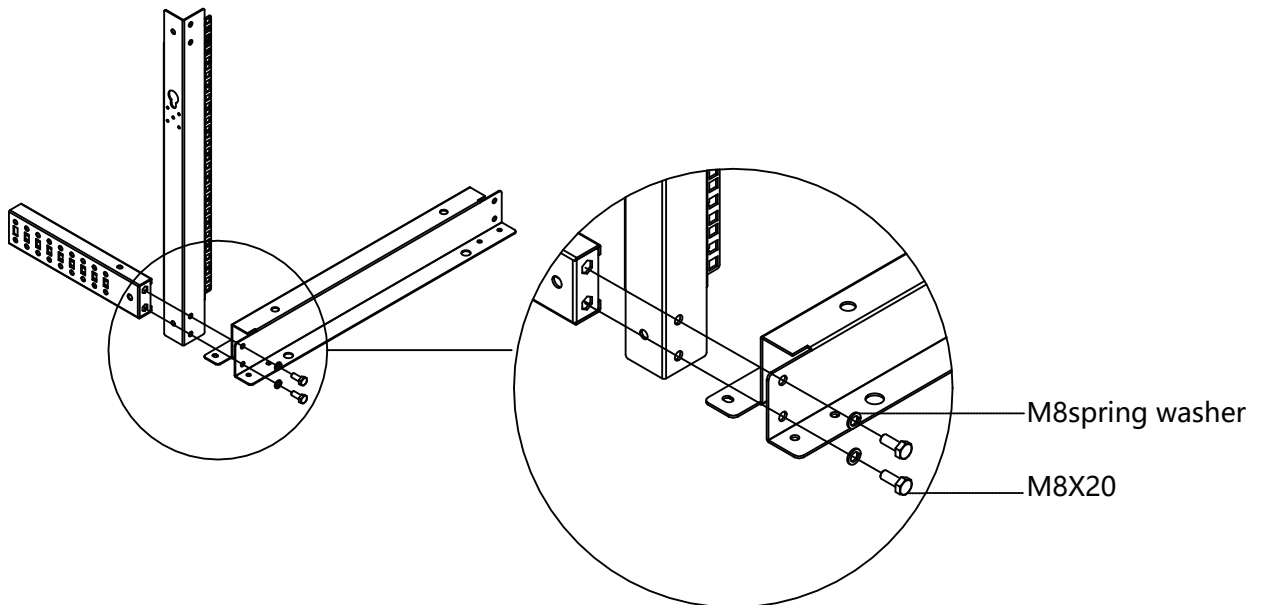
ITEM	QTY.	Capacity						
		ITEM	8U	12U	15U	18U	22U	42U
M8x20screw kits			40	40	40	40	40	40
M6X16screw kits			16	16	16	16	16	16
M6X12			2	2	2	2	2	2
Earthing kits			4	4	4	4	4	4
Cable management ring		<small>M5*14</small>	8	10	13	16	20	40
Accessories screw bag			40	40	40	40	40	40





Detailed List							
NO.	ITEM	QTY.	Sketch Plan	NO.	ITEM	QTY.	Sketch Plan
1	left upright	2		2	right upright	2	
3	ower beam	2		4	Top beam	2	
5	Side beam	8		6	side center beam	4	
7	Leveling feet	4		8	castor	4	

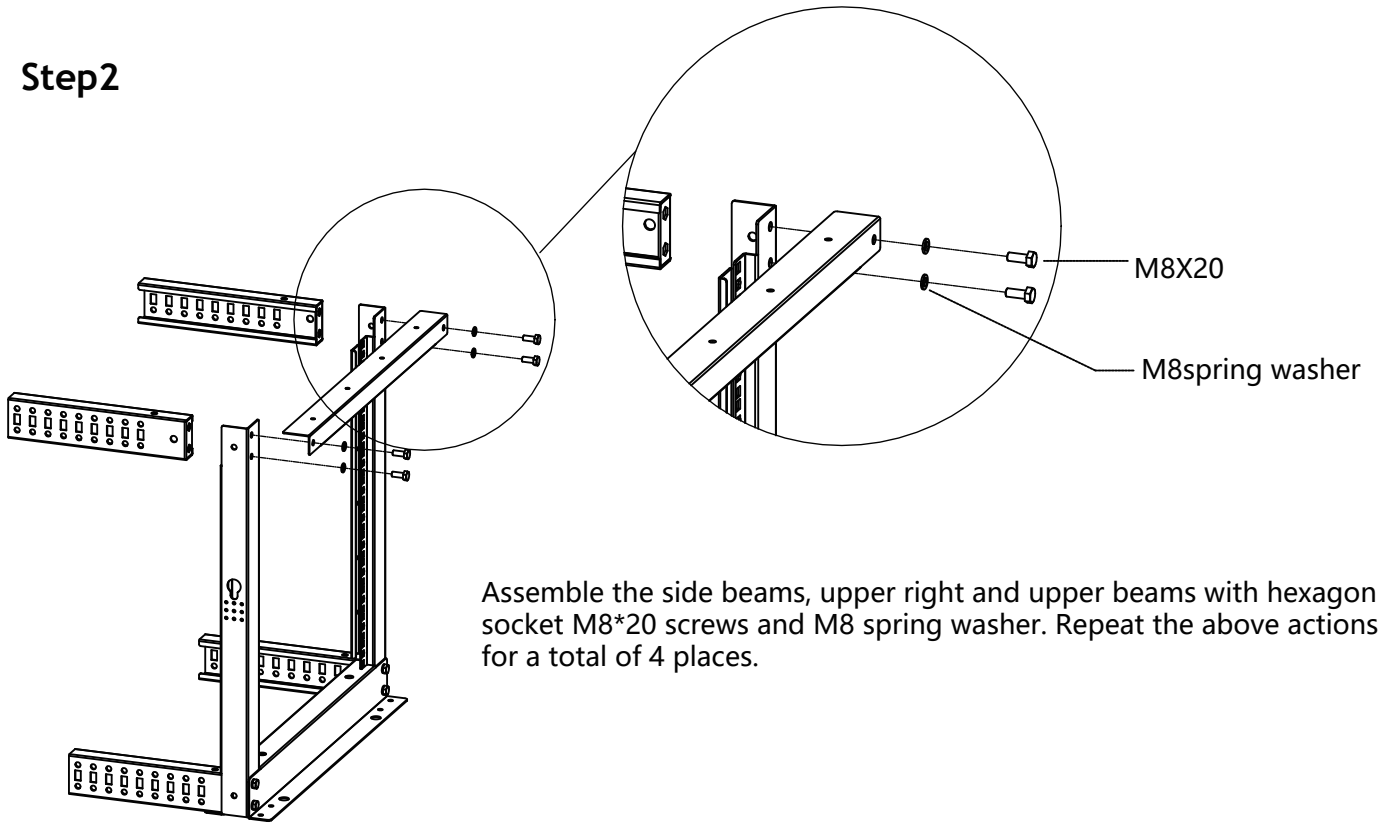
**Step1**



Assemble the side beams, columns and base plate with hexagonal M8\*20 screws and M8 spring washer. Repeat the above for a total of 4 places.

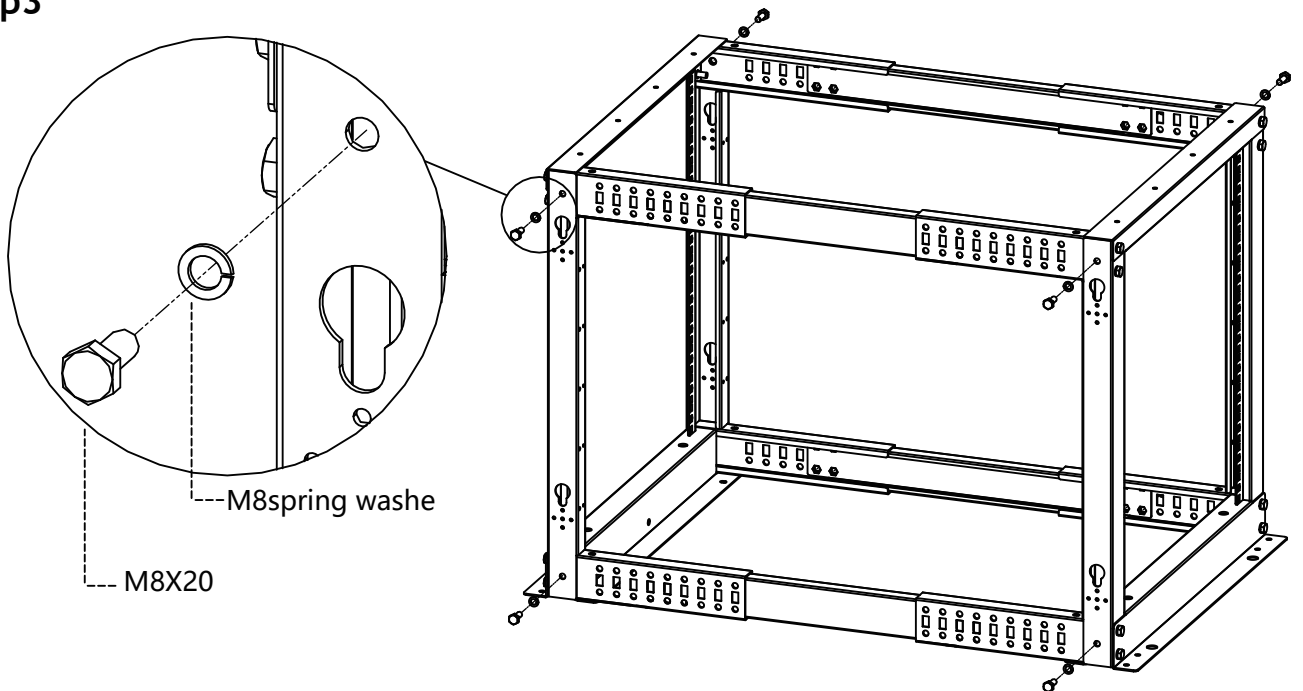


## Step2



Assemble the side beams, upper right and upper beams with hexagon socket M8\*20 screws and M8 spring washer. Repeat the above actions for a total of 4 places.

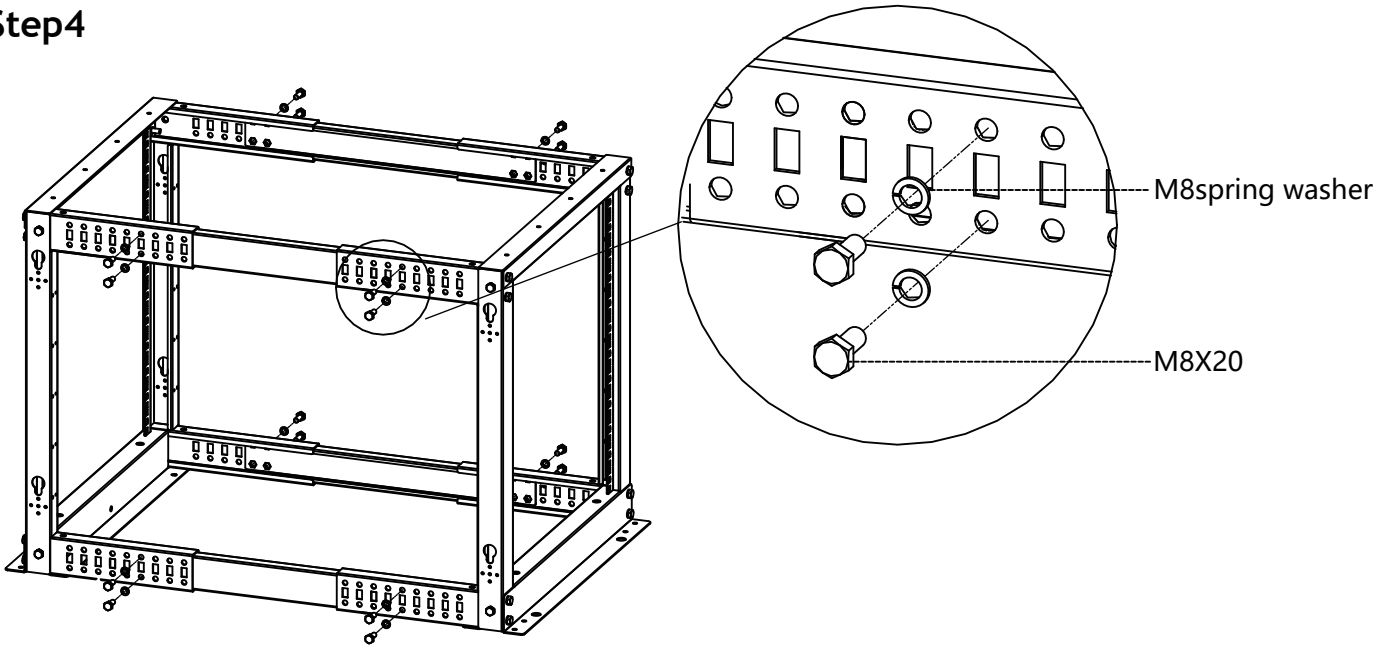
## Step3



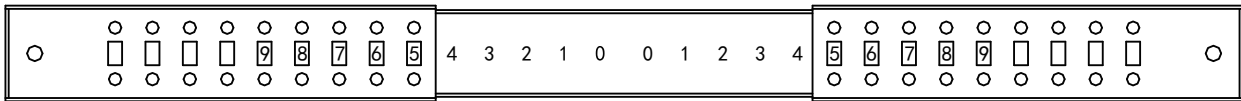
Assemble the side beams and uprights with hexagonal M8\*20 screws and M8 spring washers. Repeat the above actions for a total of 8 places.



### Step4



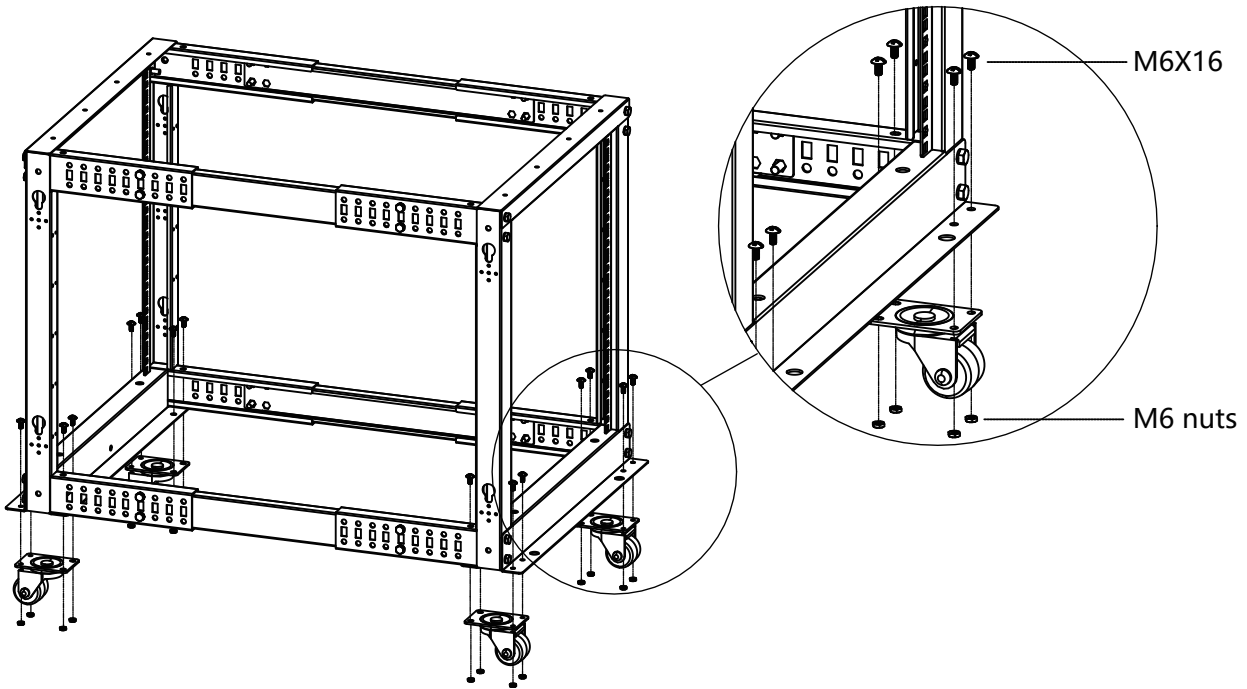
Select the desired depth according to the table on the right, then assemble the side beams with the side center beams and repeat the above for a total of 8 places.



Mounting Depth	Setting the number	Mounting Depth	Setting the number
23inch	0and0	33inch	5and5
24inch	1and0	34inch	6and5
25inch	1and1	35inch	6and6
26inch	2and1	36inch	7and6
27inch	2and2	37inch	7and7
28inch	3and2	38inch	8and7
29inch	3and3	39inch	8and8
30inch	4and3	40inch	9and8
31inch	4and4	41inch	9and9
32inch	5and4		

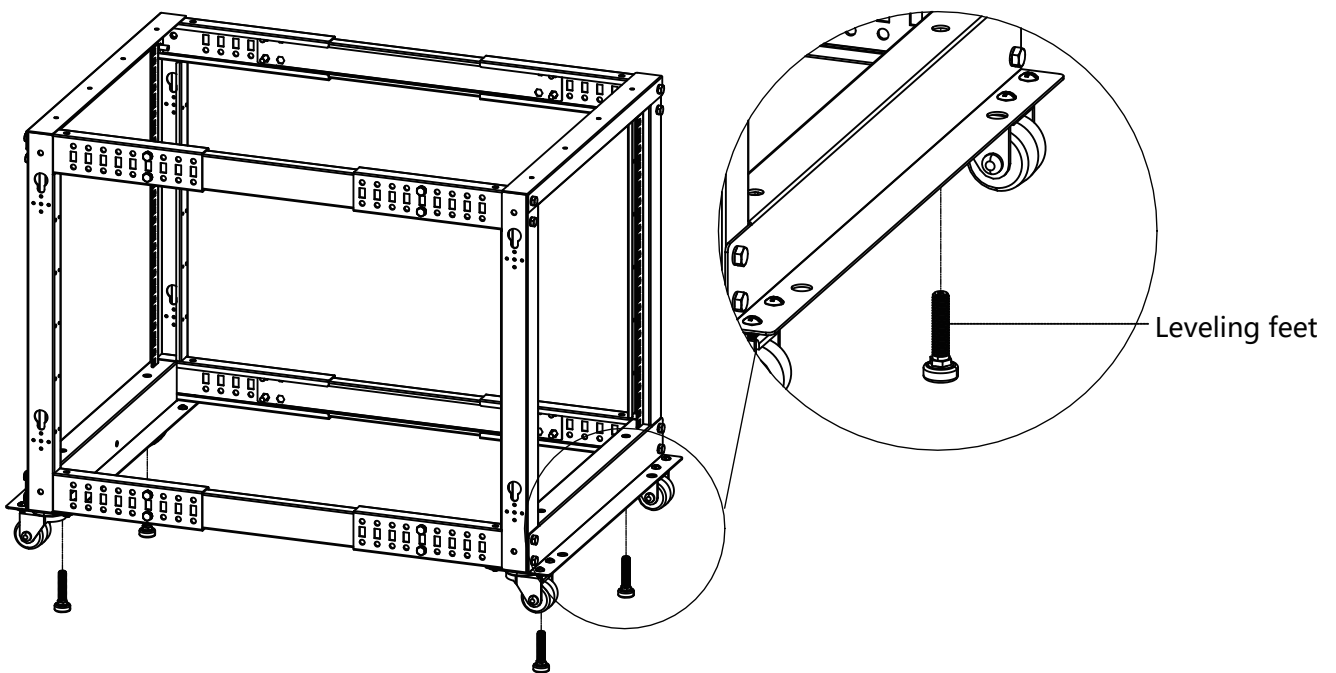


## Step5



Assemble the caster with Phillips M6\*16 screws and M6 nuts. Repeat the above for a total of 4 places.

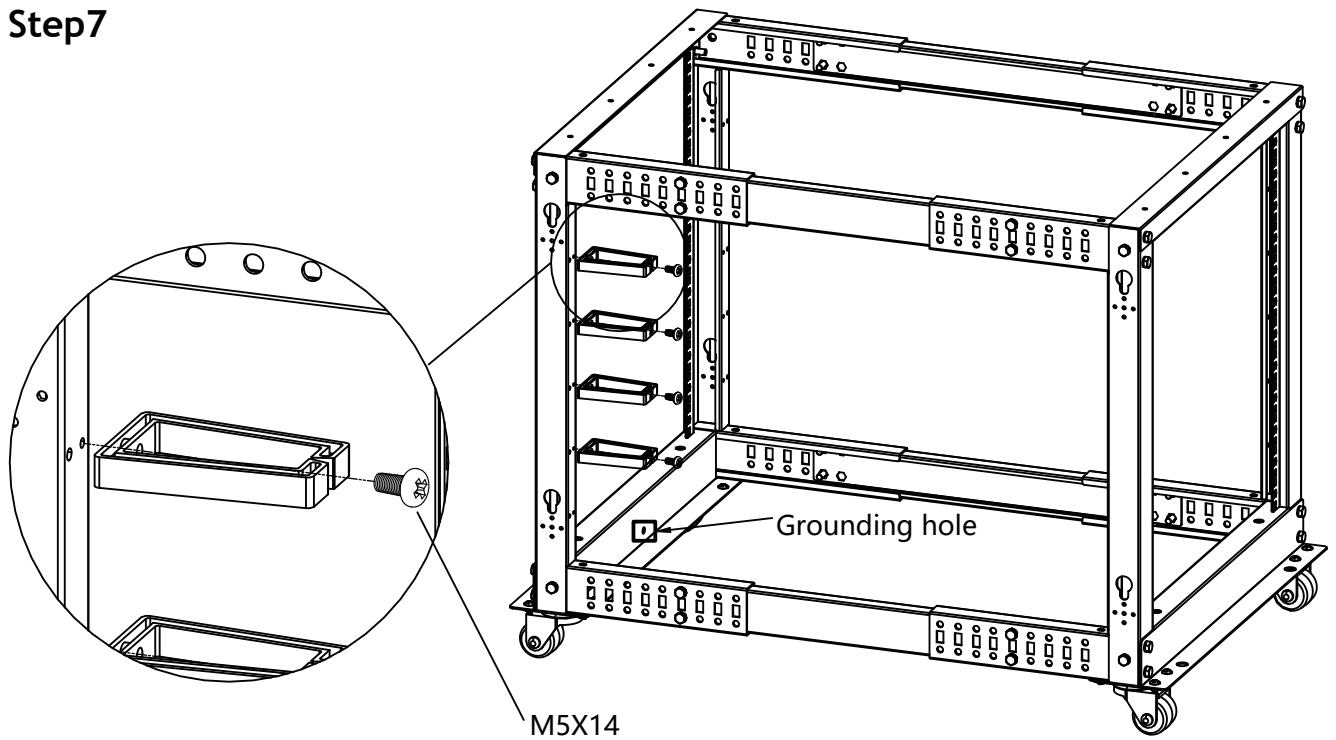
## Step6



Just screw the leveling feet until they are flush with the casters. Repeat the above for a total of 4 places.



## Step7



After aligning the cable management ring positioning holes with the holes on the uprights, screw in the front with the M5X14 screws, taking care not to over-tighten them.